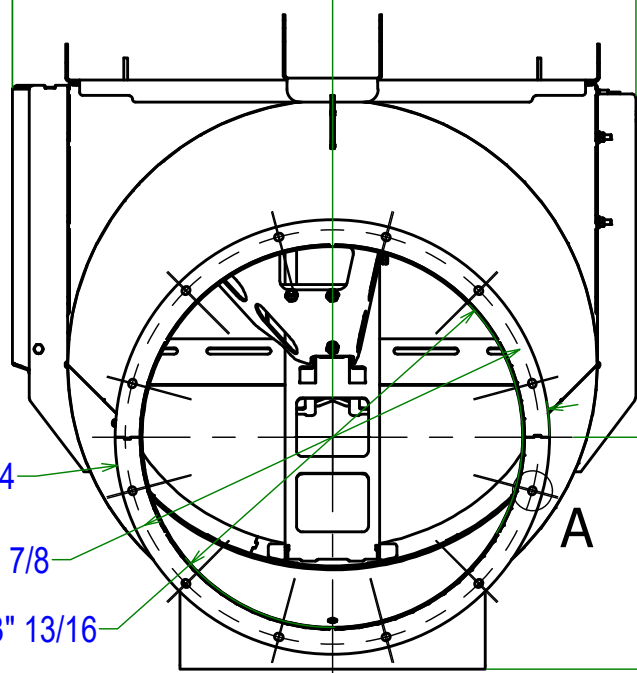


989,5 - 38" 61/64

508 - 20"



Outside Ø689,2 - 27" 9/64

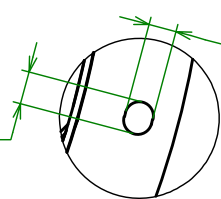
Axis Ø657,2 - 25" 7/8

Inside Ø605 - 23" 13/16

368 - 14" 31/64

A (Hole x12 for 3/8 screw)

13mm - 33/64



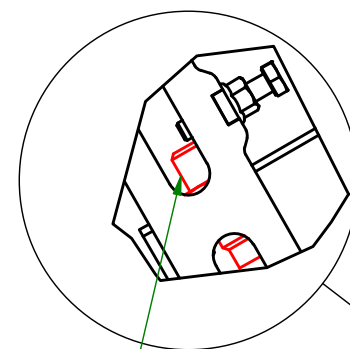
11,1mm - 7/16

Pressure resistance = 2bar
Optional flanges and flange gaskets

Informative dimension

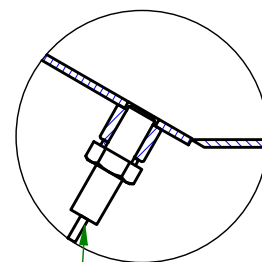
Weight : 150 kg

B (Flap position detector)

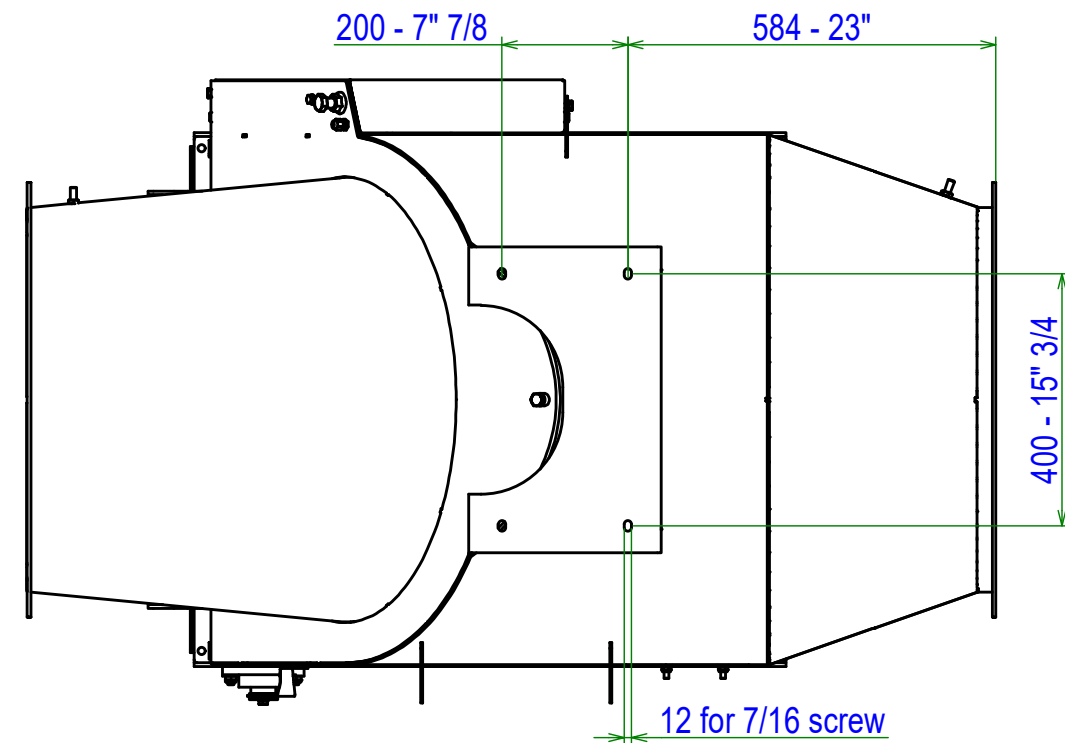


Inductive detector M18

C (Build up detector)



Capacitive detector M12

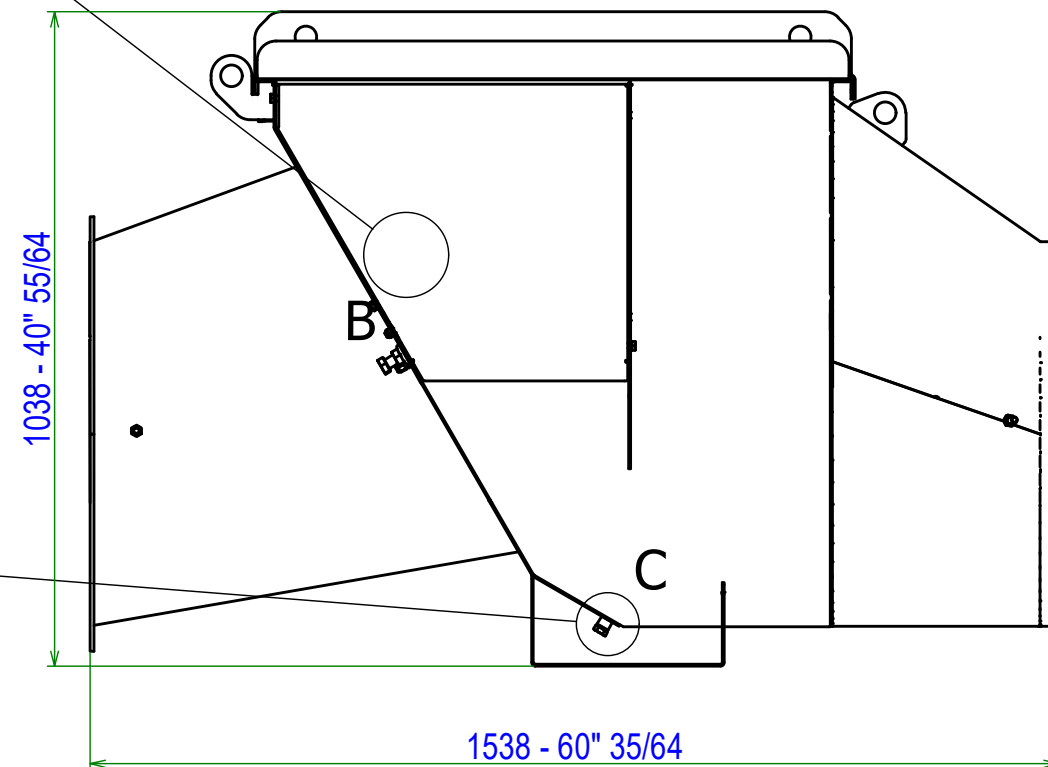


200 - 7" 7/8

584 - 23"

400 - 15" 3/4

12 for 7/16 screw



1038 - 40" 55/64

1538 - 60" 35/64

A	Création	22/03/21	BM	MJ
Ind.	Objet de la modification	Date	Nom	Vérif.
STIF	Matière:	Date de création: 22/03/2021	A3	Ech.: s/e
Plan n°: 57VP_024_Clt				
Désignation: VigiFlap PASSIVE Ø24"				